



FlashLED 2 Ex

Battery-operated, work and inspection luminaire with emergency lighting function

Zones 1, 2 and 21, 22



Emergency light 5.5 h

Description

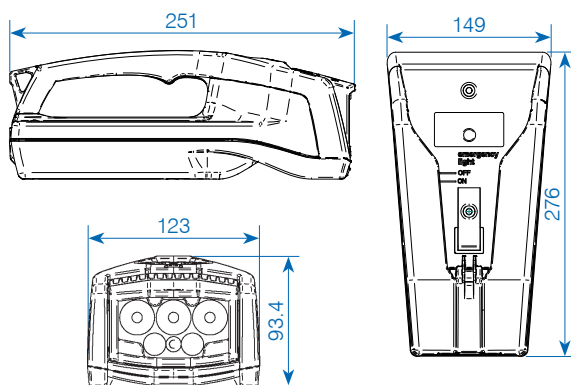
The popular FlashLED 2 work and inspection luminaire with emergency lighting function is now also available in an Explosion-proof version. The luminaire is equipped with a rechargeable lithium polymer (LiPo) battery, which has to be charged outside the ex-zone.

The FlashLED 2 Ex fulfils the requirements of the Low Voltage Directive 2014/35/EU, the Directive 2014/30/EU concerning electromagnetic compatibility and the ATEX Directive 2014/34/EU.

Features

- At least 8 hours of light in three selectable operating modes:
 1. Spot: Focused, narrow light beam for long-distance use
 2. Wide: Room illuminating, energy-efficient lighting
 3. High beam: Widely radiating light beam
- Memory function (last setting is retained)
- Corrosion-resistant charging pins (gold-plated spring steel)
- Overcurrent, temperature and deep discharge protection
- Vertically swivelling luminaire head
- Compact design
- Flashing mode

Dimensions



Technical Data

Luminous flux in full light:	888lm
Housing colour:	black
Operating voltage:	10-32VDC
Electric power supply:	LiPo 7.4V-3'500mAh
Charging time:	6.5h
Light duration factory settings:	
- Spot (4 LED):	15h
- Wide (2 LED):	26h
- Full light (6 LED):	9.5h
- Emergency light (6 LED):	5.5h
Illuminant:	6 Power-LED à 1.6W, cool white 5'000K
Protection category luminaire:	IP65
Dimensions (W×L×H):	
- luminaire excl. charging station:	251×124×94mm
- luminaire incl. charging station:	323×149×108mm
Weight luminaire:	1'100g
ATEX certification number:	SEV 20 ATEX 0436 X
Explosion-proof according to:	EN IEC 60079-0:2018 (general requirements) EN 60079-11:2012 (intrinsic safety)
Permitted ambient temperature:	-20°C < Ta < +50°C
Marking:	II 2G Ex ib IIC T4 Gb II 2D Ex ib IIIC T135°C Db

Charging station

Operating voltage:	230 VAC (85-264 VAC) or 12-24VDC
Protection category:	IP20
Protection class 230VAC:	II
Protection class 12-24VDC:	III
Dimensions (W×L×H):	276×149×95 mm
Weight:	430g

Item no.	Designation
861199	FlashLED 2 Ex 230V/12-24VDC with emergency light function, without charging station
✓ 860026	FlashLED charging station 230 VAC, incl. 1.5 m cable and plug T11 (not ex compliant)
✓ 860027	FlashLED charging station 12-24VDC, with plug-in connection excl. cable (not ex compliant)

✓ from stock, offer subject to prior sale